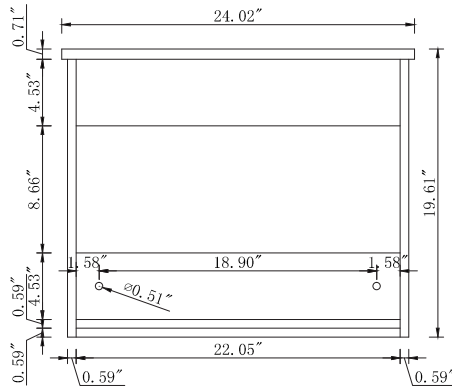
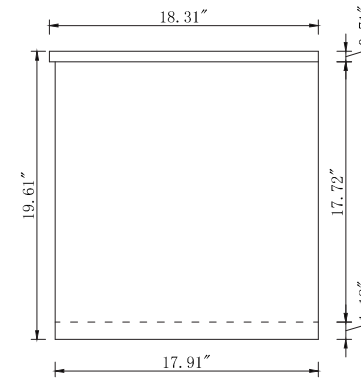


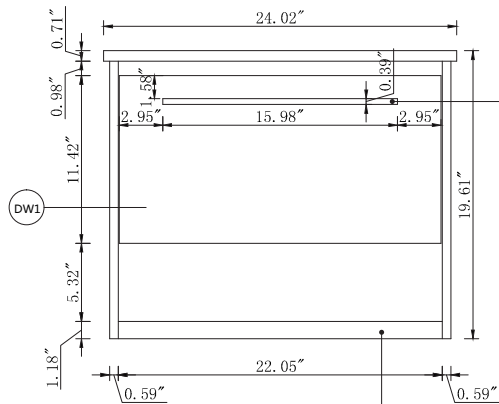
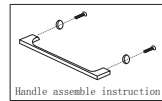
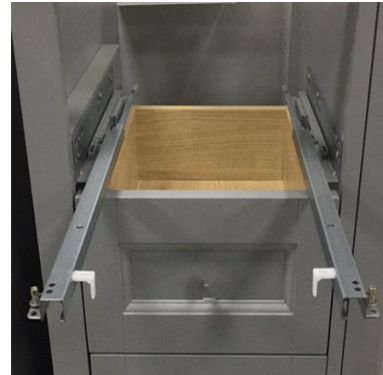
Top view



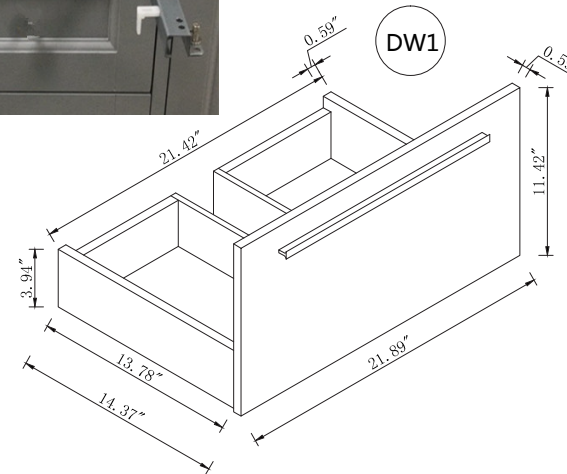
Back view



Side view



Front view



Drawer Interior Size

DWG. NO.:

MODEL NO.:

VF43524MTK

ALTERATIONS

- |   |  |
|---|--|
| 1 |  |
| 2 |  |
| 3 |  |
| 4 |  |

FOR PROPOSAL ONLY ALL DIMENSIONS TO BE VERIFIED

SCALE:

DWG. BY:

CHECKED BY:

DATE:

PROJECT:

Qty:

Color:

DRAWING TITLE:

FINISH:

Elegant



Decor

ELEGANT LIGHTING